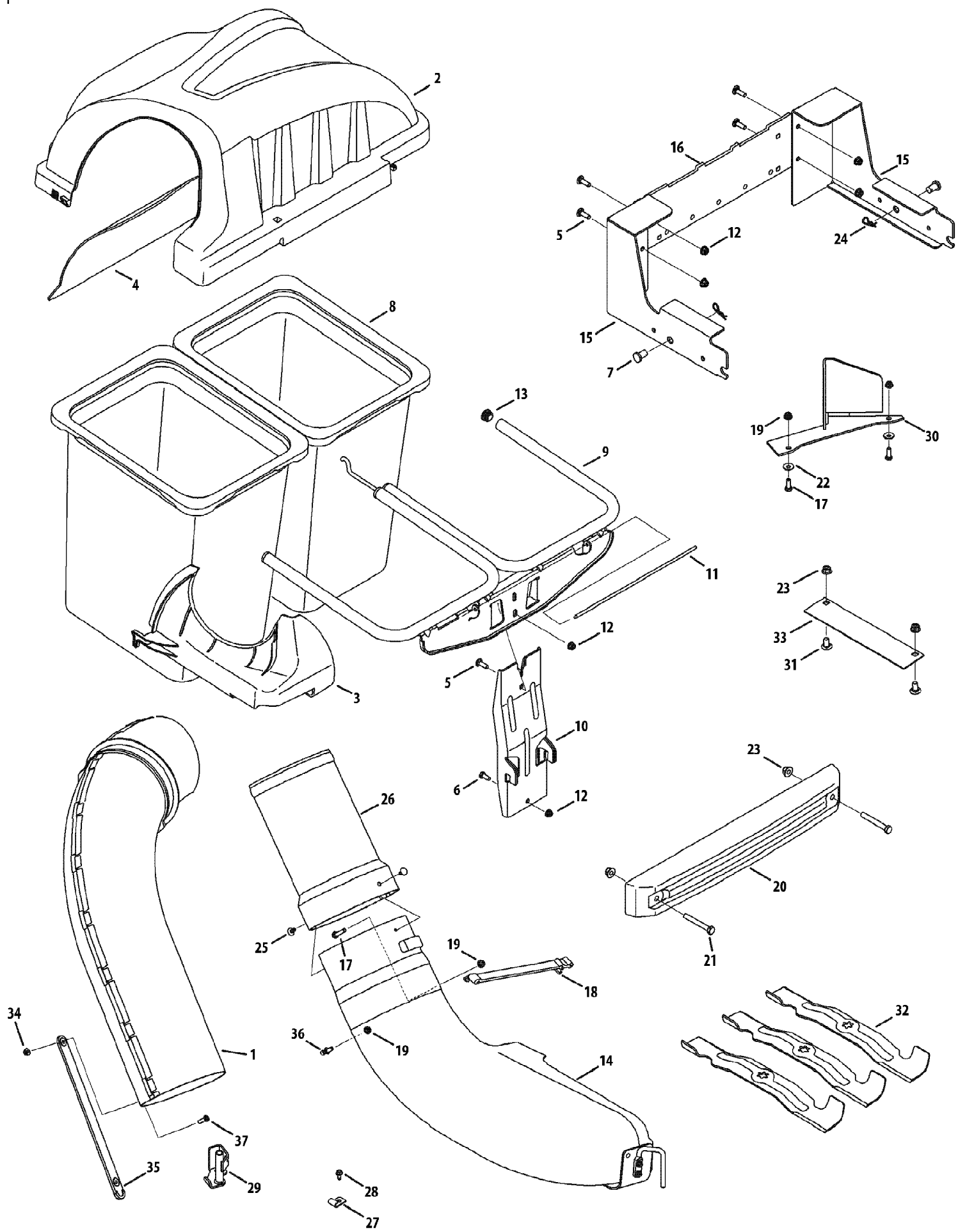


19A70004OEM Twin Rear Bagger (2010)
General Assembly

1



19A70004OEM Twin Rear Bagger (2010)
General Assembly

Page 2 of 2

Ref #	Part Number	Qty	S/P/F	Description
1	631-04295P	1	S	Upper Chute Assembly
2	931-04292	1	/P	Twin Bagger Cover Assembly
3	731-06497	1		Upper Chute Support
4	731-06504	1		Bagger Cover Screen
5	710-0276	1	/P	Carriage Screw, 5/16-18 x 1.00"
6	710-3008	1	/P	Hex Head Screw, 5/16-18 x .75"
7	911-0332	1	/P	Clevis Pin, .50" Dia.
8	964-04096	1	/P	Grass-bag Assembly
9	683-04461-0637	1	/P	Twin Bag Support Assembly
10	683-04519-0637	1	/P	Vertical Support Bracket
11	711-04988	1		Cover Hinge Pin
12	712-04063	1	/P	Flange Lock Nut, 5/16-18
13	735-0246A	1		End Plug
14	631-04300A	1	/P	Discharge Chute Elbow
15	689-00111	1	/P	RZT Hitch Bracket Kit (RH & LH)
16	783-06168-0637	1		Universal Cross Bracket
17	710-3015	1	/P	Hex Head Screw, 1/4 - 20 x .75
18	723-0476	1		Chute Strap
19	712-04064	1	/P	Flange Lock Nut, 1/4 - 20
20	719-04271A	1		Bagger Weight
21	710-3022	1	/P	Hex Head Screw, 3/8 - 16 x 2.75
22	736-0270	1	/P	Belleville Washer
23	712-04065	1	/P	Flange Lock Nut, 3/8 - 16
24	914-04023	1	/P	Cotter Pin, .080 x 1.5625 Internal
25	726-3046	1	/P	Ratchet Clip, .250
26	731-06611	1		Bagger Chute Adapter, 8 x 13.5
27	96606	1	/P	Retainer Hook Bracket
28	710-0599	1	/P	Self-Tap Screw, 1/4-20 x .500
29	683-0617A-0637	1	/P	Chute Stop Bracket
30	703-05783-0637	1		Deck Baffle, 50"
31	710-3168	1	/P	Carriage Bolt, 3/8-16 x 1.00
32	742-04056C-0637	1	/P	Bagging Blade, 17.90 Lg. Star
33	783-06418-0637	1		Chute Discharge Plate
34	912-3027	1	/P	Flange Lock Nut, 1/4-20
35	723-04009A	1	/P	Chute Strap
36	911-04069	1	/P	Grass-catcher Pin
37	710-0924	1	/P	Machine Screw, 1/4-20